

UNI TEMP

FIRST CONSTANT TEMPERATURE CONTROLLER

with Clip system for 2-way and 3-way valves



ISO 5211

CLIP SYSTEM

QUICK FIT SYSTEM

EURONORM AXLE SYSTEM

FLEXIBLE HOLDER SYSTEM



FIRST UNI TEMP, are constant temperature controllers designed for operating 2-way and 3-way valves (DN 15 - DN 50).

- The FIRST UNITEMP controllers have defined direction of rotation (90° rotating angle).
- Actuators have LED temperature display and knob for adjusting desired temperature.
- Actuators have DIP switches for setting different functions of the actuator.

OPERATION

UNI TEMP is an constant temperature controller with VF sensor and adjustable temperature setting. It is designed for operating 3-way mixing valves and 2-way control valves. FIRST UNI TEMP controllers allow easy installation.

Actuators are available in 230V AC 50 Hz with adapter and are supplied with a 1.7m attached connection cable. Actuator can be manually operated with handle and button on the cover.

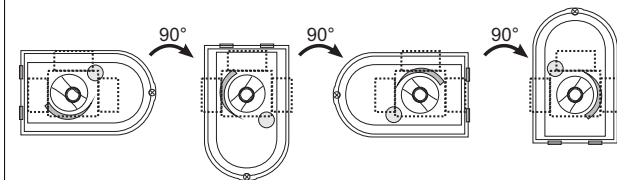
UNITEMP actuators are recommended for: maintaining a constant temperature in boiler heating circuit (protection against condensation), use in under floor heating applications, industrial processes, heat accumulators and in domestic hot water systems or swimming pools (individual systems, SPA, public swimming pools). Actuators UNI TEMP are recommended for mixing applications with: FMV 130/130C, FMV H-151/151C, FMV 140/140C, FMV G-131, FMV 140. And for 2-way valves: FBV 200C-M and FBV 690 valves.

MAINTENANCE

Actuator requires no maintenance. The installation of suitable strainer is

INSTALLATION POSITION

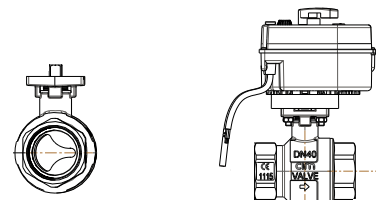
Actuator can be rotated on the valve body to fit different installation layouts. UNITEMP actuator with FMV 130C valves.



TECHNICAL DATA: ACTUATOR

Supply voltage:	230 VAC 50Hz (with adapter), 24 VAC 50Hz (without adapter)
Rotation time:	73s/90°
Power consumption:	7,5 VA (operation), 6 VA (stand by)
Max. Torque:	15 Nm
Protection class:	II
Enclosure rating:	IP44
Connection:	cabl 1,7 m, 2 x 0,75 mm ²
Direction of rotation:	defined 90° angle
Manual operation:	handle and push button
Position indicator:	handle with position indicator
Ambient temperature:	0°C..+55°C
Storage temperature:	-10°C..+60°C
Humidity:	0%..80% R.H. (non condensed)
Sensor type:	KTY 81-210PVC
Temperature ranges:	(0-100°C, 60-85°C, 20-70°C, 25-45°C)

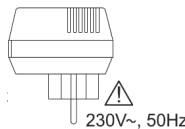
UNITEMP actuator with 2-way control valve FBV 690.



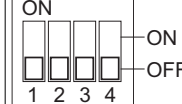
ELECTRICAL CONNECTION

POWER SUPPLY; for Unitemp constant temperature controller.

The regulator is attached to a 230VAC/24VAC adapter that allows connection to the network 230V, 50Hz. When the connection is done, the regulator is ready for use. Because the regulator does not content a fuse it is necessary to ensure protection against the plug adapter.



DIP SWITCHES; for setting different functions of the actuator.



- DIP 1** - Setting direction of valve opening.
- DIP 2, 3** - Different temp. areas according to your application.
- DIP 4** - Reaction factor x1/x10.

SUITABLE VALVES

FMV 130C



FMV 130



FMV H-151C



FMV H-151



FMV 140C



FMV 140



FMV G-131



FDV G-141



FBV 200C-M



FBV 690



In accordance with PED, LVD, RoHS2, EMC



FIRST d.o.o.
Koroška cesta 56
SI-3320 Velenje
SLOVENIA

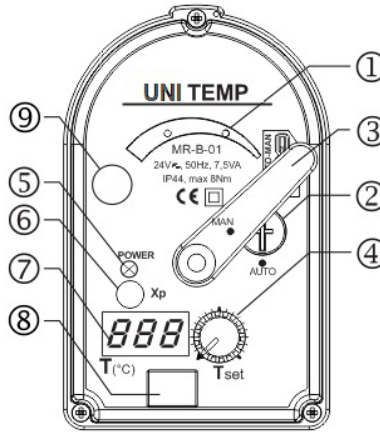
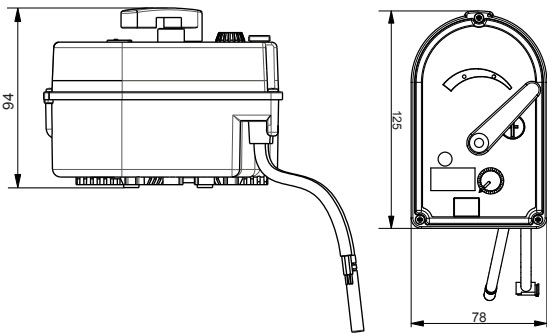
phone: +386 3 898 35 00
fax: +386 3 898 35 35
email: info@first.si
web: www.first.si

www.first.si
Let First be your first choice.



UNITEMP

Description of the front panel of regulator



1. Mechanical indicator
Indicator can be set according to the mixing valve assembly
2. Button for manual/auto control
3. Handle for manually controlling the actuator, which also serves for the indication position of the valve
4. Button for adjusting the required temperature.
5. LED indication of:
 - Flash: 1 time per second- actuator calibration 2 times per second- too low voltage
 - ON: normal operation switches for setting the parameters

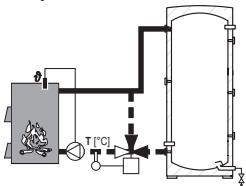
6. Accessible place for Xp parameter settings
7. LED screen for displaying current/set temperature
8. Accessible place for DIP switches for setting the parameters
9. The screw access cover for screwing actuator to the mixing valve.

UNITEMP

Code	Type	Voltage	Rotation time	Control signal	Connection	Max. torque [Nm]	Weight [kg]	Price (€)
21136	UNITEMP	230 VAC 50 Hz	73s/90°		Cable	15	1,34	
*21135	UNITEMP	24 VAC 50 Hz	73s/90°		Cable	15	1,34	

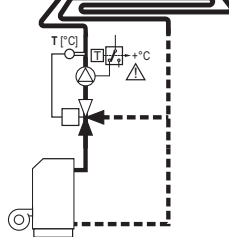
Installation examples

Example 1:



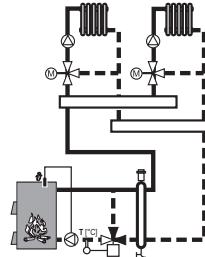
Maintains a constant temperature (protection) of the return flow of water boilers using solid or liquid fuels in combination with a hopper.

Example 2:



Maintains a constant temperature of heating water.

Example 3:



Maintains a constant temperature of the boiler (protection against condensation) and direct connection to the heating system.

Features and options

- **Sensor type:** KTY 81-210PVC, length 1.5m, 6mm diameter, length 40mm

Adapter kits

Clip system

Code	Type
58039	Adapter set Clip

Clip-Mix system

Code	Type
58043	Adapter set Clip-Mix

Euronorm axle system

Code	Type
58034	Adapter set Euronorm

Quick fit system

Code	Type
20060	Adapter set Quick fit system

ISO 5211 system

Code	Type
58021	Adapter set ISO

Flexible holder system

Code	Type
58000	Adapter set Flexible holder system

